

**FEATURE**

1. Completely sealed switching chamber
2. Step-design case provides added space between terminals to help prevent shorting
3. IP68 protection degree



**SPECIFICATIONS**

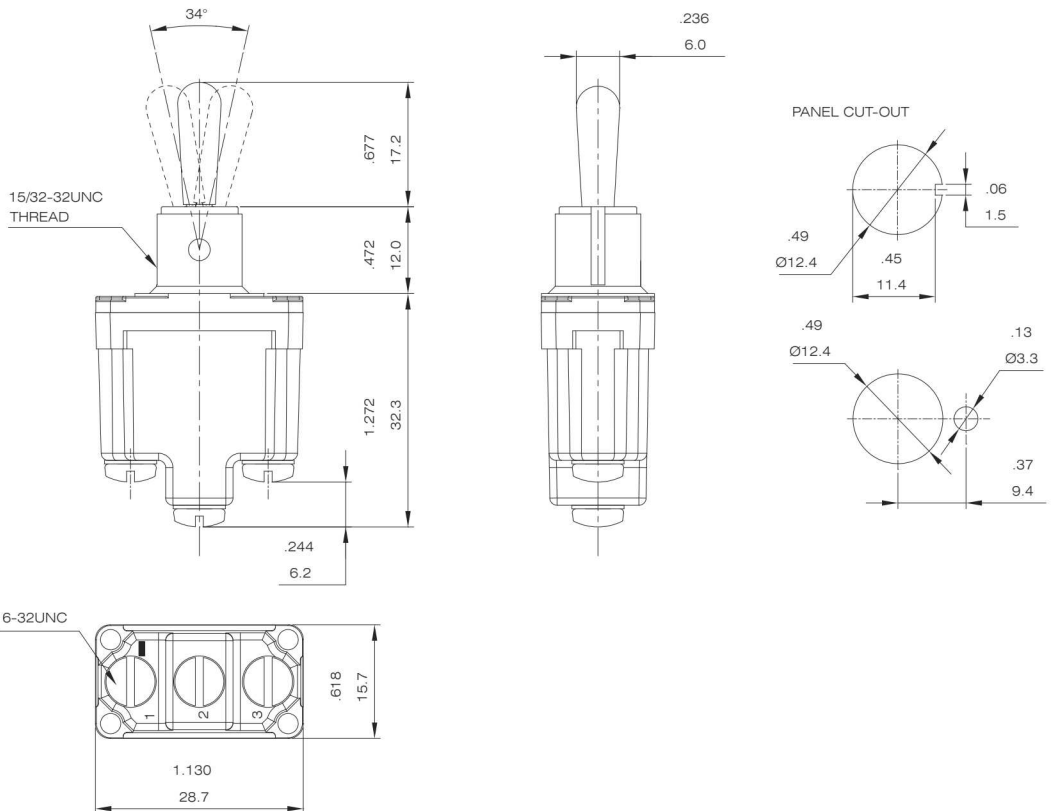
CONTACT RATING: 15 GPA, 125 V AC, 250 V AC, 277 V AC  
 ELECTRIC LIFE: 10,000 cycles  
 CONTACT RESISTANCE: 10 mΩ max. (initial)  
 INSULATION RESISTANCE: 1,000 MΩ min. 500VDC  
 DIELECTRIC STRENGTH: 2,500 VAC/ 1 min.  
 OPERATING TEMPERATURE: -40°C to +85°C

**How do you build the switches you need!!**

C 6 0 1 3 - - T 1 E B - 1 0 - - H

Switch Function		Locking	Actuator	Terminal	Agency approval	RoHS code
C6013	On-None-On	/ NO Locking	T1 Round	B solder lug	/ none	H= ROHS Compliant
C6013A	On-None-(On)	A in 3 position	U1 Flatted	D quick connect	10 10A UL	
C6014	On-Off-On	D out of center		S screw	15 15A UL	
C6014A	(On)-Off-(On)	G keyway side				
C6014B	On-Off-(On)					
			Bushing		Agency approval	
			E Standard		/ Standard	
				Contact Material	/ 2P Two terminal	
				NON No plated		
				Q Silver plated		

Model No.	Switching position		
C6013	ON	None	ON
C6013A	ON	None	(ON)
C6014	ON	OFF	ON
C6014A	(ON)	OFF	(ON)
C6014B	ON	OFF	(ON)



C6014 - T1ES - 15 - H