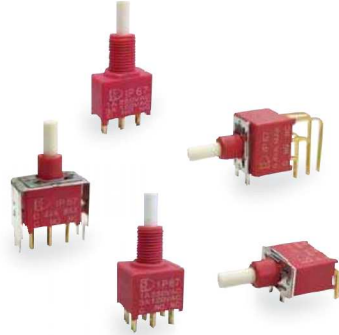


7A Series

Sealed Snap-Acting Pushbutton Switches



SPECIFICATIONS

CONTACT RATING: Dependent upon contact material see page 110.

MECHANICAL LIFE: 50,000 make-and-break cycles.

CONTACT RESISTANCE: 20 mΩ max. initial @ 2-4VDC
100mA for both silver and gold plated contacts.

INSULATION RESISTANCE: 1,000 MΩ min.

DIELECTRIC STRENGTH: 1,000 Vrms min. @sea level.

OPERATING TEMPERATURE: -30°C to 85°C.

CAP INSTALLATION FORCE: 10 lbs,max,permissible.

MATERIALS

CASE & BUSHING : Glass filled Nylon 6/6, flame retardant, heat stabilized (UL 94v-0).

PLUNGER: Glass filled Nylon or Glass fill polyester (UL 94v-0).

SWITCH SUPPORT: Brass or steel, tin plate.

SWITCH SUPPORT RETAINER: Stainless steel.

CONTACTS : Phosphor bronze with silver coin.

ALL TERMINALS : Brass,with silver or gold plated. (See Page 110)

TERMINAL SEAL : Epoxy.



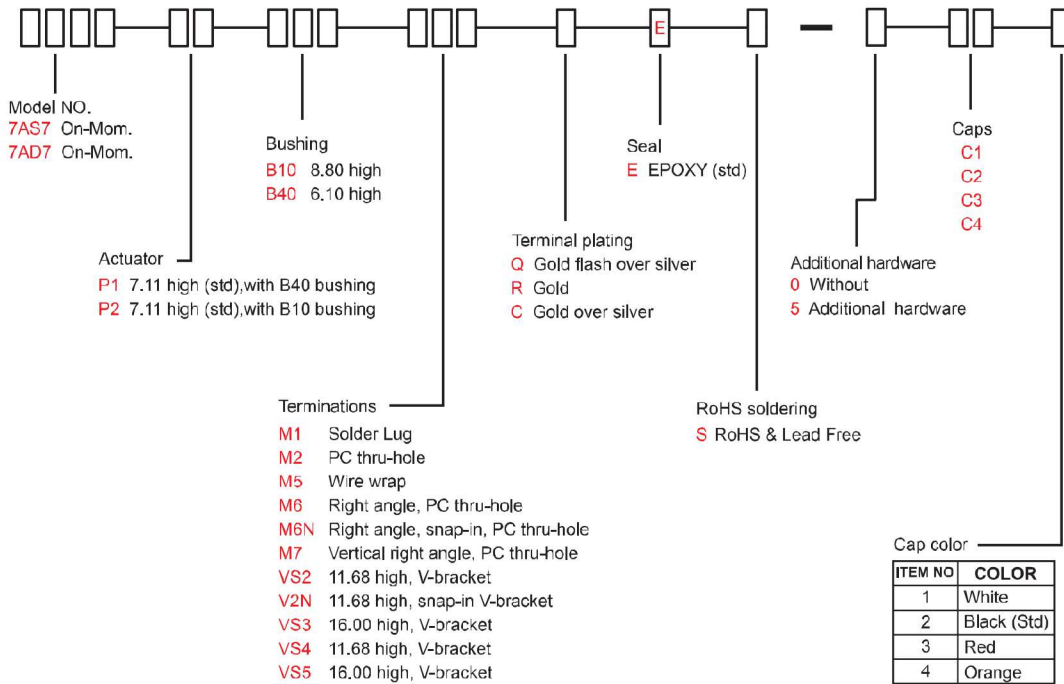
7A
Pushbutton Switches

IP 67
-CONFORMING TO
EN 60529 (1989) IEC 60529 (2011)



HOW TO ORDER

MODEL NO. ACTUATOR BUSHING TERMINATIONS TERMINAL SEAL RoHS ADDITIONAL CAPS CAP
PLATING SOLDERING HARDWARE COLOR



* Besides standard color, other colors need to check stocks available.

7A Series

Sealed Snap-Acting Pushbutton Switches

SWITCH FUNCTION

NO. POLES	MODEL NO.	SWITCH FUNCTION		CONNECTED TERMINALS / SCHEMATIC	
		POS.1	POS.2	POS.1	POS.2
SP	7AS7	ON	MOM	1-3 	1-2
DP	7AD7	ON	MOM	1-3,4-6 	1-2,4-5

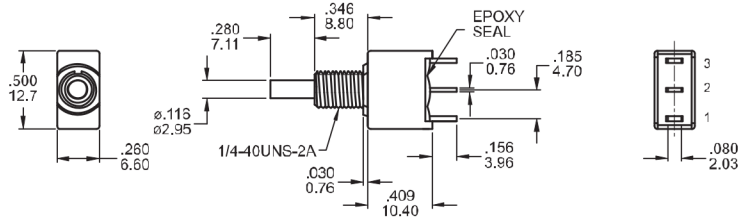
MOM=MOMENTARY

POLE OPTIONS



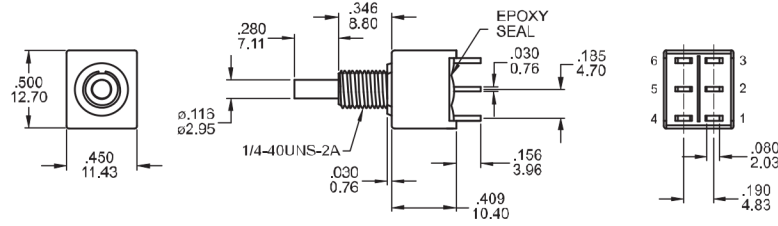
SPDT

Part No. Shown : 7AS7P2B10M1QE



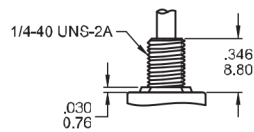
DPDT

Part No. Shown : 7AD7P2B10M1QE



BUSHING OPTIONS

B10



Std for M1

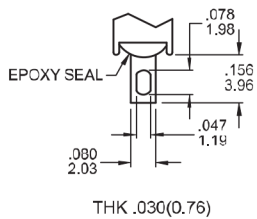
B40



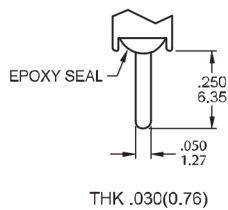
Std for M2, M6, M7, VS termination

TERMINATION OPTIONS

M1 Solder lug



M2 PC Thru-hole



OTHER TERMINATION OPTIONS

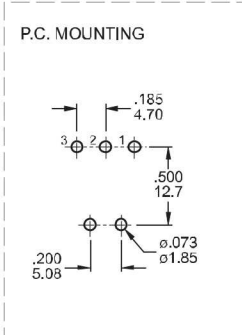
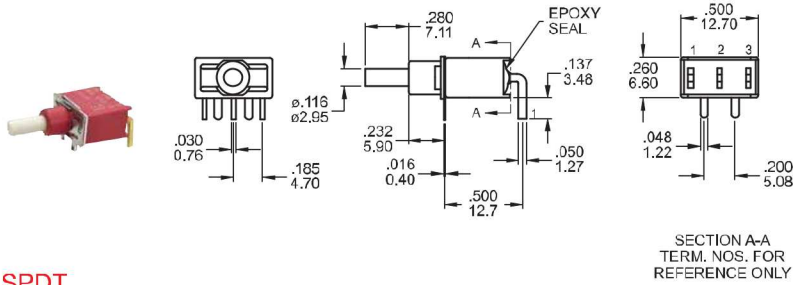
- M6** Right angle P.C. Mount
- M6N** Right angle P.C. Mount, Snap-in bracket
- M7** Right angle P.C. Mount
- VS2** Vertical bracket P.C. Mount
- V2N** Vertical bracket P.C. Mount, Snap-in bracket
- VS3** Vertical bracket P.C. Mount

7A Pushbutton Switches

7A Series

Sealed Snap-Acting Pushbutton Switches

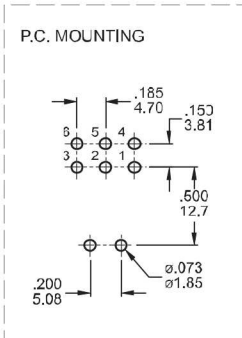
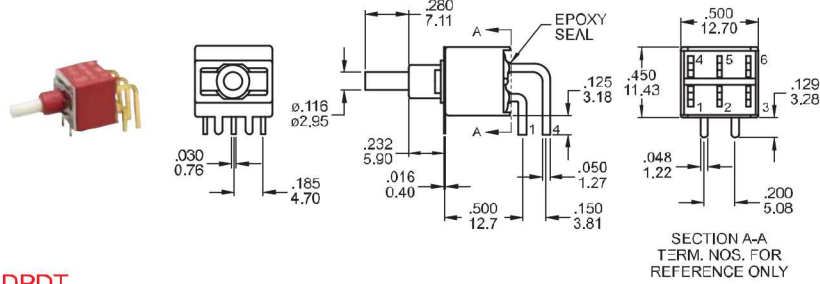
M6



SPDT

Part No. Shown : 7AS7P1B40M6RE

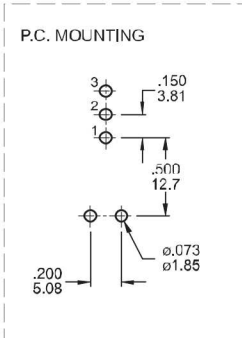
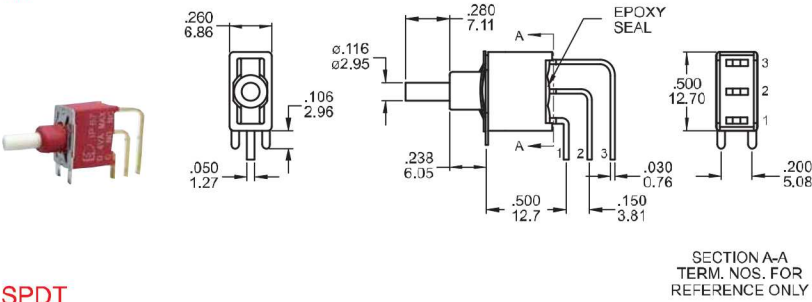
M6



DPDT

Part No. Shown : 7AD7P1B40M6RE

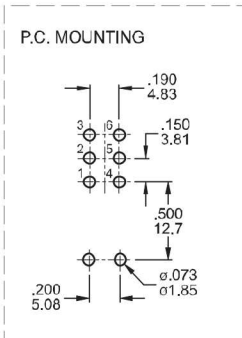
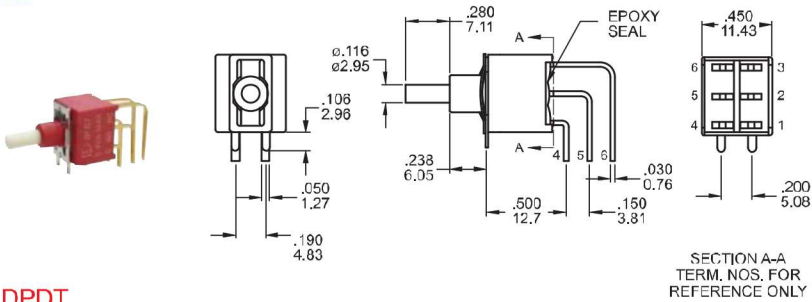
M7



SPDT

Part No. Shown : 7AS7P1B40M7RE

M7



DPDT

Part No. Shown : 7AD7P1B40M7RE



7A
Pushbutton Switches

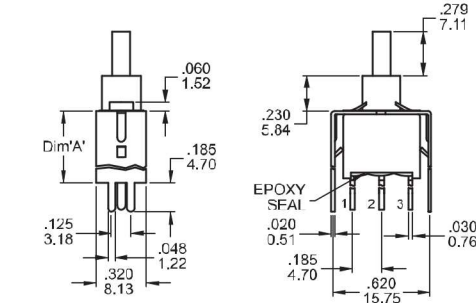
7A Series

Sealed Snap-Acting Pushbutton Switches

VS2 - VS3

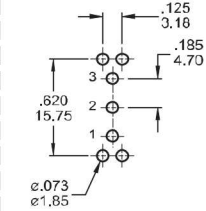


SPDT



OPTION CODE	DIM. 'A'
VS2	.460 11.68
VS3	.630 16.00

P.C. MOUNTING

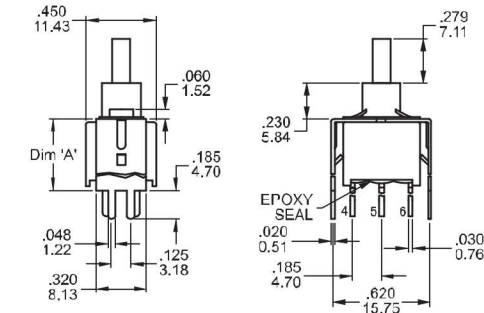


Part No. Shown : 7AS7P1B40VS2RE

VS2 - VS3

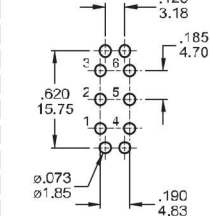


DPDT



OPTION CODE	DIM. 'A'
VS2	.460 11.68
VS3	.630 16.00

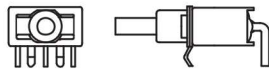
P.C. MOUNTING



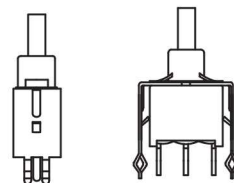
Part No. Shown : 7AD7P1B40VS2RE

SNAP-IN TERMINATION OPTIONS

M6N



V2N



CONTACT MATERIAL OPTIONS

	CONTACT PLATING	TERMINAL PLATING	RATINGS
Q	Silver	Q = Gold flash over silver	3 Amps with resistant load @ 120VAC or 28VDC
C	Gold over Silver	C = Gold over silver	1 Amps with resistant load @ 250VAC
R	Gold	R = Gold	0.4 Volt - Amps (VA) max. @ 20V max. (AC or DC)

SOLDERING PROCESSES

MANUAL SOLDERING: Use soldering iron of 30 watts, controlled at 350°C approximately 5 seconds while applying solder.

WAVE SOLDERING: Recommended Soldering Temperature: 270 ± 5°C

Duration of Solder Immersion: Max 5 sec. (PCB is 1.6mm in thickness)

7A Pushbutton Switches